



STARLITE Collection

Job Name:

Date:

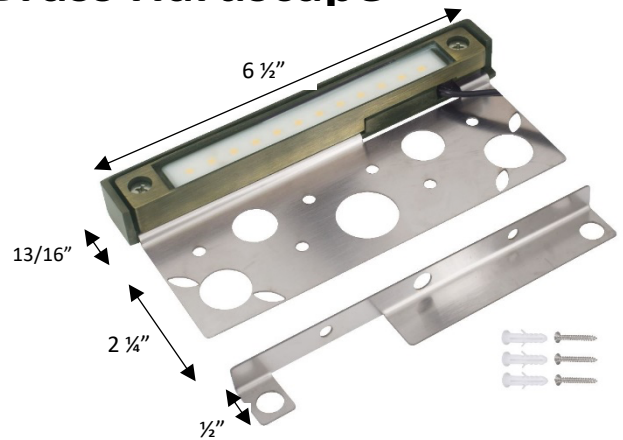
Model:

Quantity:

Low Voltage Removable LED Brass Hardscape

Features

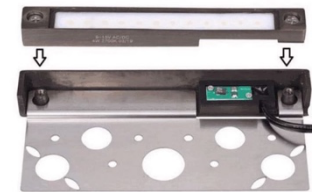
- ❖ Solid Brass construction
- ❖ Replaceable LED without removing fixture
- ❖ Glare Proof
- ❖ Three mounting bracket styles included
 - Full Under cap
 - Linear (2)



Specification

- ❖ 9-17V AC DC
- ❖ CRI 85
- ❖ Damp location listed – IP65
- ❖ Fully potted electronics
- ❖ LED light array
 - 3 watt – 240lm
 - 3000K
 - Dimmable
- ❖ 5' SPT-1W 18AWG copper lead wire
- ❖ ETL Listed for Landscape Lighting
- ❖ Five Year Fixture & LED Warranty

Sold/shipped with multiple mounting bracket size options for under capstone and linear mounting capability



REPLACEMENT LED

LBH1033BZ (3W – BRASS)

Replace LED without removing fixture!

Includes 2 (small) connectors – X1WPC



PART NUMBER	UPC NUMBER	WATTS	TYPE	COLOR	HOUSING COLOR
BH1033BZ	850016499257	3	FIXTURE & LED	3000K	BRONZE
LBH1033BZ		3	LED module	3000K	BRONZE

650 Algonquin Rd, Ste 206, Schaumburg, IL 60176

PH: 847.496.5276 FAX: 846.701.8342